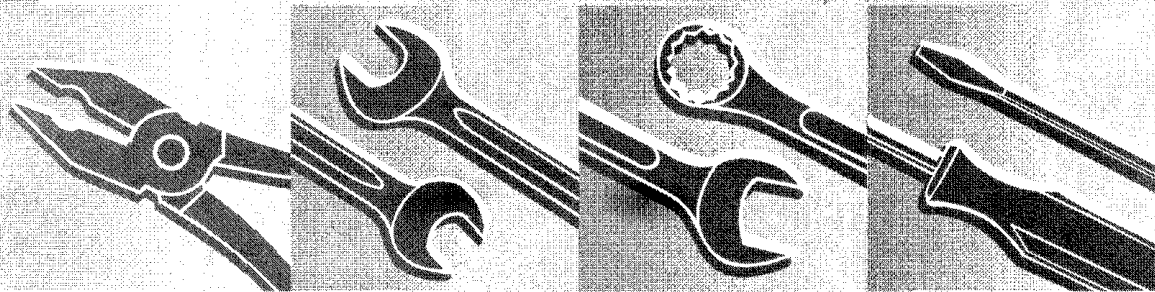
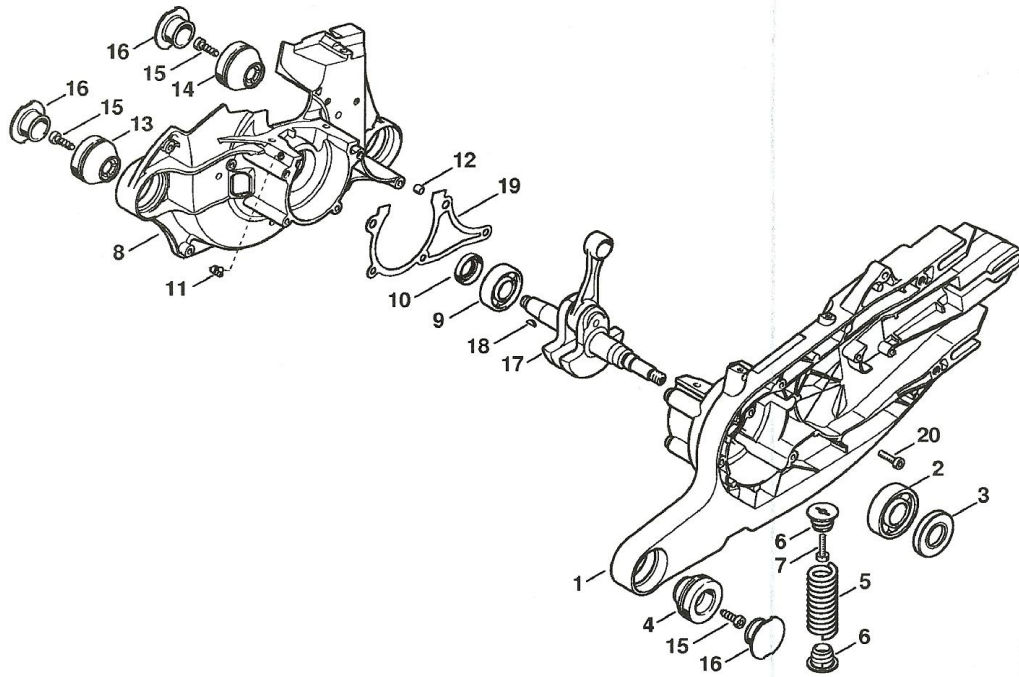


**STIHL®**

**STIHL TS 700, 800**

2006-01





376BT000 SC

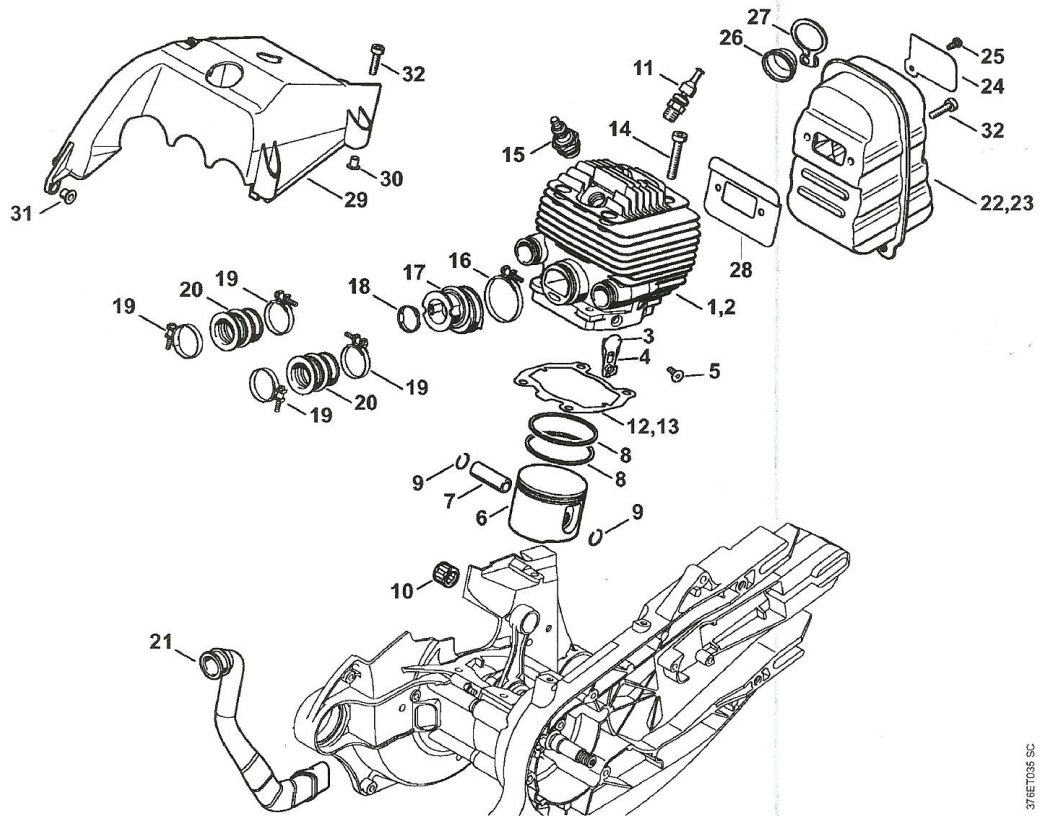
Drawing A Crankcase

Reference	Item number	Qty	Description
1	4224 020 2903	1	Crankcase □ 2 - 4
2	9503 003 0540	1	Grooved ball bearing 6204
3	9640 003 2260	1	Oil seal 20x42x7
4	4224 790 9902	1	Annular buffer
5	0000 791 3102	1	Spring
6	4224 792 2902	2	Bearing plug
7	9022 371 1020	1	Spline screw IS-M5x20
8	4224 020 2605	1	Crankcase, fan side □ 9 - 14
9	9503 003 0450	1	Grooved ball bearing 6203
10	9640 003 1745	1	Oil seal 17x28x7
11	1110 122 3900	1	Elbow connector
12	0000 988 8600	2	Sleeve
13	4224 790 9902	1	Annular buffer
14	4224 790 9903	1	Annular buffer
15	9074 478 4435	3	Pan head self-tapping screw IS-P6x19
16	1122 791 7300	3	Plug
17	4224 030 0400	1	Crankshaft (25.2005) □ 18
18	1120 036 8500	1	Woodruff key 2x3.7
19	4224 029 0500	1	Gasket
20	9022 371 1020	5	Spline screw IS-M5x20
	4224 007 1012	1	Set of gaskets □ 3, 10, 19
	* 4224 007 1003	1	Set of gaskets (43.2007) □ 3, 10, 19

(1) TS 700, (2) TS 700-Z

Drawing

B Cylinder, Muffler



376ET035 SC

Drawing B Cylinder, Muffler

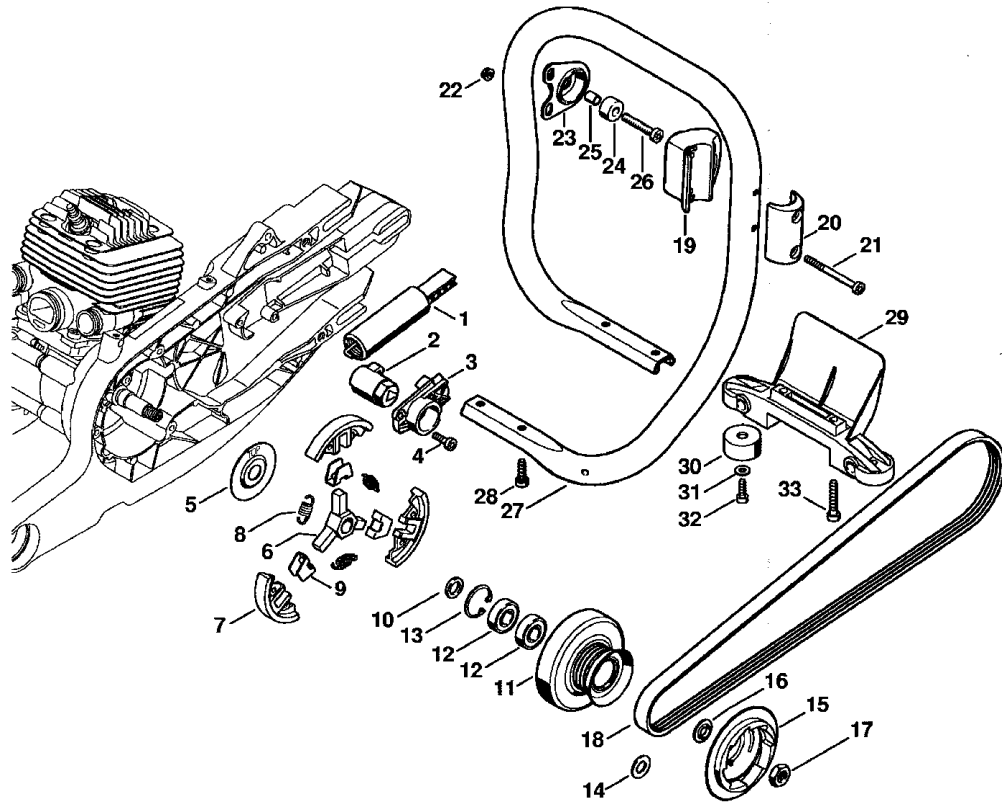
Reference	Item number	Qty	Description
1	4224 020 1205	1	Cylinder with piston Ø 56 mm □ 3 - 9
2	* 4224 020 1202	1	Cylinder with piston Ø 56 mm (43.2007) □ 3 - 9
	4224 020 1601	4	Diaphragm □ 3 - 5
	* 4224 020 1600	4	Diaphragm (43.2007) □ 3 - 5
3		1	Diaphragm (D)
4		1	Support plate (D)
5		1	Screw (D)
6	4224 030 2005	1	Piston Ø 56 mm □ 7 - 9
7	4224 034 1500	1	Piston pin 12x8x35
8	1115 034 3013	2	Piston ring Ø 56x1.5 mm
9	9463 650 1200	1	Snap ring 12x1
10	9512 003 3283	1	Needle cage 12x17x13
11	4223 020 9400	1	Decompression valve
12	4224 029 2302	1	Cylinder gasket
13	* 4224 029 2300	1	Cylinder gasket (43.2007)
14	9022 341 1380	4	Spline screw IS-M6x35
15	0000 400 7000	1	Spark plug NGK BPMR7A
15	1110 400 7005	1	Spark plug Bosch WSR 6 F
16	9771 021 2620	1	Hose clip Ø 36x5
17	4223 141 2200	1	Manifold
18	1122 141 1805	1	Sleeve
19	9771 021 2524	4	Hose clip 27x5
20	4224 141 2202	2	Manifold
21	4224 141 5400	1	Hose

(1) TS 700, (2) TS 700-Z

Drawing B Cylinder, Muffler

Reference	Item number	Qty	Description
22	4224 140 0605	1	Muffler (1) □ 28, 32
23	4224 140 0606	1	Muffler (2) USA, AUS, CDN □ 24, 25, 28, 32
24	4224 141 9001	1	Screen (2) USA, AUS, CDN
25	9039 448 0656	1	Self-tapping screw M4x9.6 (2) USA, AUS, CDN
26 *	4224 141 9000	1	Screen (2) USA, AUS, CDN (39.2009)
27 *	4224 141 6601	1	Clip (2) USA, AUS, CDN (39.2009)
28	4224 149 0600	1	Muffler gasket
29	4224 080 0900	1	Air guide shroud □ 30, 31
30	9416 868 6531	1	Hollow rivet 6.5x0.5x6.8
31	9991 003 5087	1	Sleeve 7.5x6.8
32	9022 371 1020	5	Spline screw IS-M5x20
	4224 007 1012	1	Set of gaskets □ 12, 28
	* 4224 007 1003	1	Set of gaskets (43.2007) □ 13, 28

(1) TS 700, (2) TS 700-Z



Drawing C Belt tensioner, Clutch

Reference	Item number	Qty	Description
1	4221 660 0400	1	Belt tensioner
2	4224 664 2100	1	Clamping lever
3	4224 664 4200	1	Cover
4	9022 341 0980	2	Spline screw IS-M5x16
5	4221 162 1000	1	Cover washer
6	4224 160 2001	1	Clutch □ 7 - 9
7	1122 162 0800	3	Clutch shoe
8	0000 997 5503	3	Tension spring
9	1122 162 3005	3	Retainer
10	4224 162 2600	1	Spacer ring
11	4224 760 8500	1	Poly V-belt pulley □ 12, 13
12	9503 003 5136	2	Grooved ball bearing 6001-2RS
13	9456 621 3100	1	Circlip 28x1.2
14	* 9291 021 3870	1	Washer 10.5x20x1.5 (26.2008)
15	4224 190 0550	1	Starter cup □ 16
16	4224 195 0200	1	Sleeve
17	9211 260 1340	1	Hexagon nut M10x1
18	9490 000 7920	1	Poly V-belt, ribbed 4PK924LB
19	4224 791 1900	1	Handlebar support
20	4224 791 0900	1	Clamp
21	9022 341 1120	2	Spline screw IS-M5x58
22	9216 261 0700	2	Hexagon nut M5
23	4224 790 9900	1	Annular buffer
24	4224 703 4300	1	Stop buffer
25	4224 703 3800	1	Sleeve
26	9022 341 1380	1	Spline screw IS-M6x35
27	4224 791 1703	1	Handlebar
28	9074 478 4435	2	Pan head self-tapping screw IS-P6x19
	4224 790 7600	1	Support □ 29 - 32
29	4224 791 7600	1	Support
30	4205 790 9300	2	Rubber buffer
(1) 31	700, 0000 958 0511	2	Washer



Drawing C Belt tensioner, Clutch

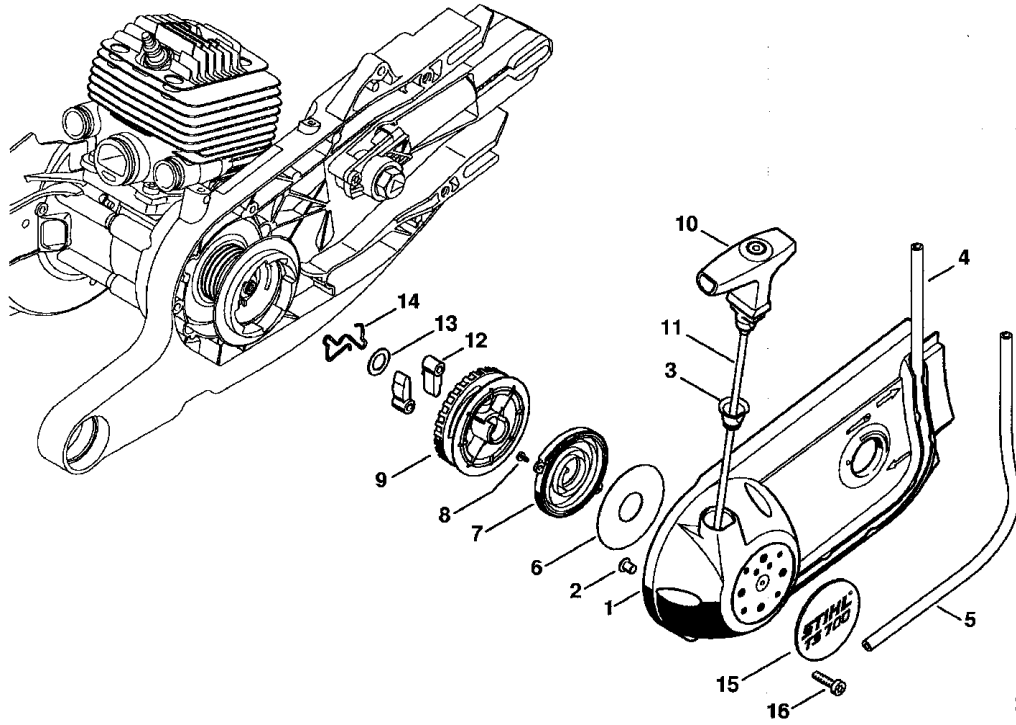
---

Reference	Item number	Qty	Description
32	9075 478 4115	2	Pan head self-tapping screw IS-D5x16
33	9074 478 4675	2	Pan head self-tapping screw IS-P6x32.5

(1) TS 700, (2) TS 700-Z

TS 700

SCS 03-2009 3.28

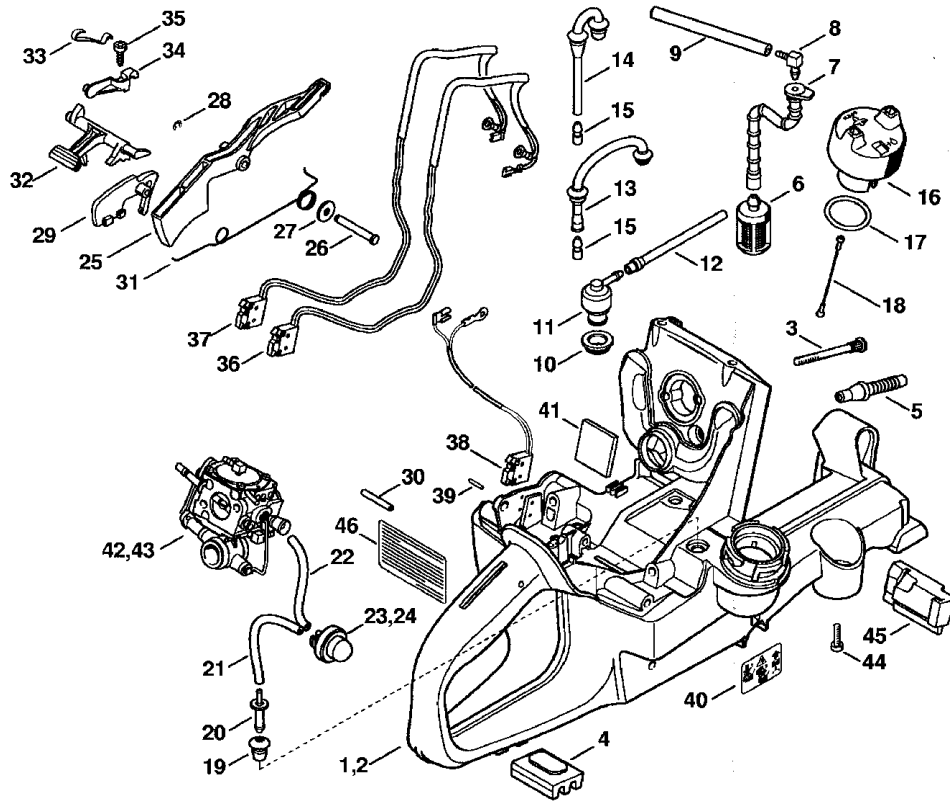


37MET020 SC

Drawing D Rewind starter

Reference	Item number	Qty	Description
	4224 190 0304	1	Starter cover with rewind starter □ 1 - 4, 6 - 15
1	4224 190 0410	1	Starter cover □ 2 - 4, 15
2	9443 825 7130	3	Hollow rivet 7.5x1x6.8
3	1110 084 9102	1	Bushing
4		1	Hose 5.6x1.9x614 mm (D)
	0000 937 4049	1	Hose 5.6x1.9 mm x 1 m (A,B)
5 *		1	Hose 6x1.5x580 mm / 22 13/16" (D) (40.2006)
	* 0000 937 4035	1	Hose 6x1.5 mm x 1 m (A,B) (40.2006)
6	4238 195 9000	1	Washer
7	4224 190 0600	1	Rewind spring
8	9104 003 0410	2	Self-tapping screw P3x6
9	4221 190 1000	1	Rope rotor
10	0000 190 3414	1	Starter grip ElastoStart Ø 4.5 mm □ 11
11	0000 190 2901	1	Starter rope Ø 4.5 mm
	0000 930 2295	1	Starter rope Ø 4.5mm / 28 pieces (A,B)
12	4221 195 7200	2	Pawl
13	1119 162 8925	1	Washer Ø 12 mm
14	4224 195 3500	1	Spring
15	4224 967 1500	1	Model plate TS 700
16	9022 371 1020	3	Spline screw IS-M5x20

(1) TS 700, (2) TS 700-Z



STRENGTH SC

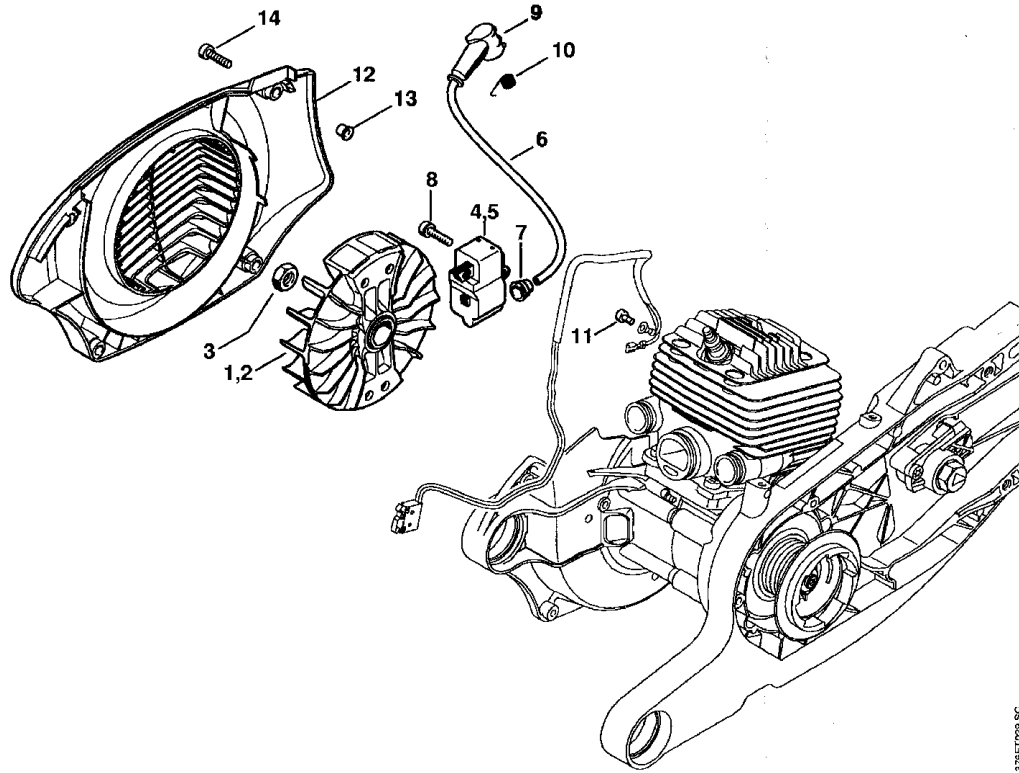
Drawing E Tank housing

Reference	Item number	Qty	Description
1	4224 350 0812	1	Tank housing □ 3 -13, 15 - 21, 25 - 36, 39, 40
2 *	4224 350 0814	1	Tank housing (43.2007) □ 3 -13, 15 - 21, 25 - 35, 37, 39, 40
3	1122 122 6602	2	Collar screw
4	4221 792 9300	1	Rubber buffer
5	4223 141 8600	1	Impulse hose
6	0000 350 3504	1	Pickup body
7	1124 358 7700	1	Hose
8	4224 122 3900	1	Elbow connector
9		1	Hose 3.1x5.7x93 mm (D)
	0000 930 2803	1	Hose 3.1x5.7 mm x 1 m (A,B)
10	4223 353 9201	1	Grommet
11	4238 350 5800	1	Tank vent
12		1	Hose 3.1x5.7x93 mm (D)
	0000 930 2803	1	Hose 3.1x5.7 mm x 1 m (A,B)
13	4224 350 5801	1	Tank vent □ 15
14 *	4224 350 5800	1	Tank vent (D) (06.2006) □ 15
15	4224 358 8100	1	Vent insert
16	0000 350 0502	1	Filler cap □ 17, 18
17	9645 948 2470	1	O-ring 23x3
18	0000 350 0905	1	Rope
19	0000 989 0608	1	Grommet
20	0000 988 5206	1	Connector
21		1	Hose 2.2x5.4x128 mm (D)
22		1	Hose 2.2x5.4x73 mm (D)
	0000 930 2802	1	Hose 2.2x5.4 mm x 1 m (A,B)
(1) 23 700,	0000 350 6202	1	Fuel pump

Drawing E Tank housing

Reference	Item number	Qty	Description
24 *	1130 350 6200	1	Fuel pump (61.2007)
25	4224 182 1000	1	Throttle trigger
26	4224 182 8900	1	Pin
27	0000 958 0526	1	Washer
28	9460 624 0320	1	E-clip 3.2
29	4224 182 0800	1	Trigger interlock
30	9381 003 2180	1	Cylindrical pin 4x28
31	4224 182 4500	1	Torsion spring
32	4224 182 0900	1	Switch shaft
33	4224 182 4700	1	Flat spring
34	4224 182 4400	1	Bearing
35	9074 478 3005	1	Pan head self-tapping screw IS-P4x14
36	4224 430 0503	1	Switch
37 *	4224 430 0501	1	Switch (43.2007)
38 *	4224 430 0500	1	Switch (06.2006)
39	9381 651 1200	2	Cylindrical pin 6x13
40	0000 967 3768	1	Warning pictogram Filler cap
41 *	0000 351 1100	1	Plate
42	4224 120 0601	1	Carburetor WJ-114A
43 *	4224 120 0600	1	Carburetor HS-314A (43.2007)
44	9022 341 1019	1	Spline screw IS-M5x20
45	4224 791 5901	1	Stop buffer
46 *	0000 967 3502	1	Instruction label (2) USA, CDN (43.2007)

(1) TS 700, (2) TS 700-Z



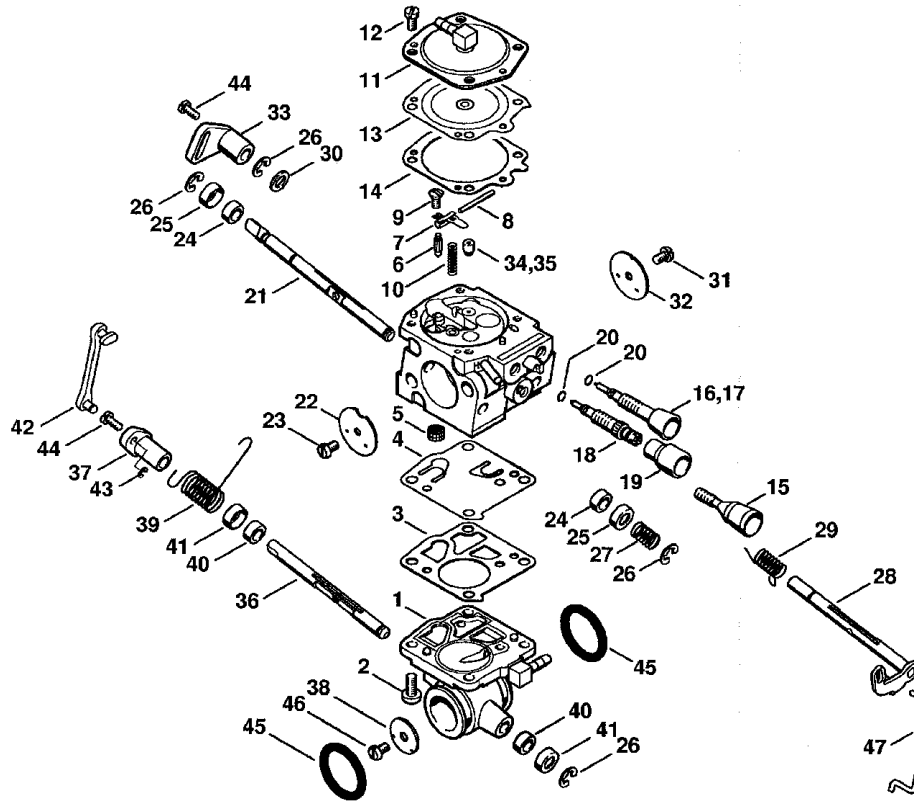
379ET029 SC

Drawing F Ignition system

Reference	Item number	Qty	Description
1	4224 400 1201	1	Flywheel (25.2005)
2 *	4224 400 1200	1	Flywheel (25.2005), (06.2006)
3	9211 260 1340	1	Hexagon nut M10x1
4	4224 400 1301	1	Ignition module □ 6, 7
5 *	4224 400 1300	1	Ignition module (06.2006) □ 6, 7
6		1	Ignition lead 335 mm (D)
	0000 405 0600	1	Ignition lead 1 m (A,B)
	0000 930 2251	1	Ignition lead 10 m (A,B)
7	0000 989 1002	1	Grommet
8	9022 341 1019	2	Spline screw IS-M5x20
9	1128 405 1000	1	Spark plug boot
10	0000 998 0604	1	Torsion spring
11	9022 313 0630	1	Spline screw IS-M4x8
12	4224 080 3100	1	Fan cover □ 13
13	9443 825 7130	3	Hollow rivet 7.5x1x6.8
14	9022 371 1020	4	Spline screw IS-M5x20

(1) TS 700, (2) TS 700-Z





37621040 SC

Drawing G Carburetor WJ-114A

Reference	Item number	Qty	Description
	4224 120 0601	1	Carburetor WJ-114A □ 1 - 16, 18 - 34, 36 - 47
1	4224 121 0803	1	End cover
2	1115 122 7100	4	Round head screw
3	1115 129 1100	1	Gasket
4	1115 121 4800	1	Pump diaphragm
5	1114 121 7800	1	Strainer
6	1110 121 5100	1	Inlet needle
7	1117 121 5000	1	Inlet control lever
8	1117 121 9200	1	Spindle
9	1114 122 7400	1	Round head screw
10	4224 122 3000	1	Spring
11	4224 121 0804	1	End cover
12	1106 122 7400	4	Round head screw
13	1117 121 4700	1	Metering diaphragm
14	1116 129 0900	1	Gasket
15	4224 122 6201	1	Idle speed adjustment screw
16	4224 122 6802	1	Low speed adjustment screw □ 20
17 *	4224 122 6801	1	Low speed adjustment screw (39.2009) □ 20
18	4224 122 6701	1	High speed adjustment screw □ 20
19	4224 121 2701	1	Cap
20		1	Sealing ring (D)
21	4224 121 3001	1	Choke shaft
22	4224 121 2901	1	Choke shutter
23	1121 122 7102	1	Round head screw
24	4224 122 3602	2	Sealing ring
25	4223 121 9400	2	Ring
26	1117 122 9000	4	E-clip
27	4223 122 3001	1	Spring
28	4224 120 7103	1	Throttle shaft with lever
29	4224 122 3203	1	Torsion spring
30	1115 121 8600	1	Washer
31	1115 122 7400	1	Round head screw
(1) 32	700, 4224 121 3301	1	Throttle shutter

Drawing G Carburetor WJ-114A

---

Reference	Item number	Qty	Description
39	4224 122 3202	1	Torsion spring
40	4224 122 3602	2	Sealing ring
41	4224 121 9400	2	Ring
42	4224 124 2101	1	Rod
43	4224 122 9004	1	E-clip
44	4224 122 7100	2	Screw
45	9645 945 7574	2	O-ring 17x3
46	4224 122 7801	1	Oval head screw
47	4224 182 1500	1	Throttle rod
	1122 007 1060	1	Set of carburetor parts □ 3, 4, 13, 14

(1) TS 700, (2) TS 700-Z

TS 700

SCS 03-2009 3.28

Drawing                      G            Carburetor WJ-114A

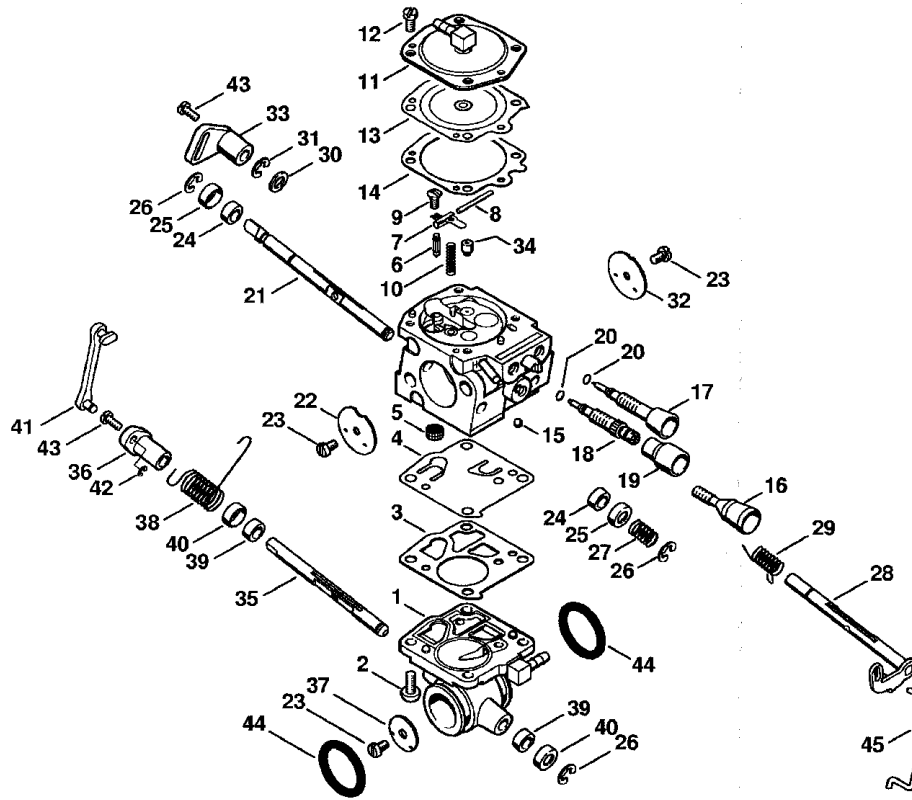
---

Reference	Item number	Qty	Description
33	4224 121 6604	1	Lever
34	1122 121 5606	1	Fixed jet 0.65
35 *	1128 121 5605	1	Fixed jet 0.66 (39.2009)
36	4224 126 0201	1	Air valve shaft
37	4224 121 6603	1	Lever
38	4224 126 0301	1	Air valve

(1) TS 700, (2) TS 700-Z

TS 700

SCS 03-2009 3.28



37627010 SC

Drawing H Carburetor HS-314A (43.2007)

Reference	Item number	Qty	Description
	* 4224 120 0600	1	Carburetor HS-314A (43.2007) □ 1 - 44
1	* 4224 121 0800	1	End cover (43.2007)
2	* 1106 122 7400	4	Round head screw (43.2007)
3	* 1110 129 1110	1	Gasket (43.2007)
4	* 1124 121 4800	1	Pump diaphragm (43.2007)
5	* 4221 121 7800	1	Strainer (43.2007)
6	* 4116 121 5100	1	Inlet needle (43.2007)
7	* 1124 121 5000	1	Inlet control lever (43.2007)
8	* 1110 121 9200	1	Spindle (43.2007)
9	* 1110 122 7801	1	Oval head screw (43.2007)
10	* 1124 122 3000	1	Spring (43.2007)
11	* 4224 121 0802	1	End cover (43.2007)
12	* 1106 122 7400	4	Round head screw (43.2007)
13	* 1110 121 4700	1	Metering diaphragm (43.2007)
14	* 1110 129 0900	1	Gasket (43.2007)
15	* 4221 122 4200	1	Ball (43.2007)
16	* 4224 122 6200	1	Idle speed adjustment screw (43.2007)
17	* 4224 122 6800	1	Low speed adjustment screw (43.2007) □ 20
18	* 4224 122 6700	1	High speed adjustment screw (43.2007) □ 20
19	* 4229 121 2700	1	Cap (43.2007)
20	*	1	Sealing ring (D) (43.2007)
21	* 4224 121 3000	1	Choke shaft (43.2007)
22	* 4224 121 2900	1	Choke shutter (43.2007)
23	* 1110 122 7400	3	Round head screw (43.2007)
24	* 4221 122 3605	2	Sealing ring (43.2007)
25	* 4221 121 9400	2	Ring (43.2007)
26	* 1110 122 9005	3	E-clip (43.2007)
27	* 4223 122 3000	1	Spring (43.2007)
28	* 4224 120 7102	1	Throttle shaft with lever (43.2007)
29	* 4224 122 3200	1	Torsion spring (43.2007)
30	* 4221 121 8600	1	Washer (43.2007)
31	* 1110 122 9005	1	E-clip (43.2007)
32	* 4224 121 3300	1	Throttle shutter (43.2007)
33	* 4224 121 6601	1	Lever (43.2007)
34	* 4224 126 0100	1	Semi-fixed jet (43.2007)
35	* 4224 126 0200	1	Air valve shaft (43.2007)
(1) 36	* 4224 121 6602	1	Lever (43.2007)

Drawing H Carburetor HS-314A (43.2007)

---

Reference	Item number	Qty	Description
37 *	4224 126 0300	1	Air valve (43.2007)

(1) TS 700, (2) TS 700-Z

TS 700

SCS 03-2009 3.28

Drawing H Carburetor HS-314A (43.2007)

---

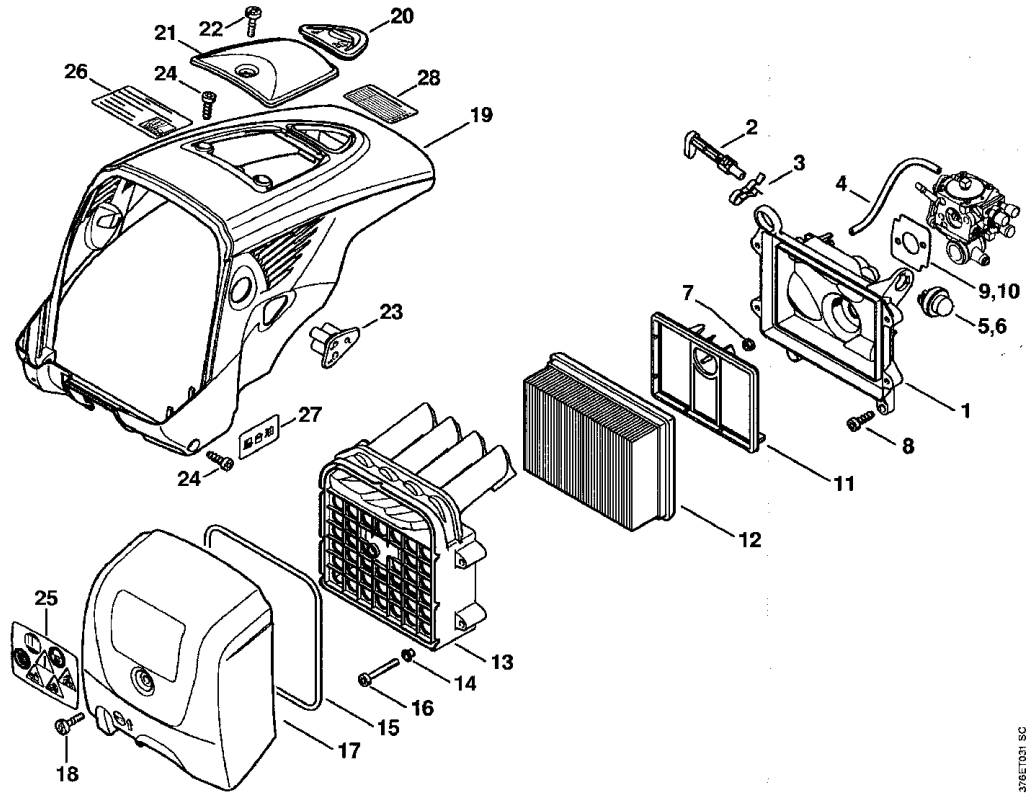
Reference	Item number	Qty	Description
38 *	4224 122 3201	1	Torsion spring (43.2007)
39 *	4221 122 3605	2	Sealing ring (43.2007)
40 *	4221 121 9400	2	Ring (43.2007)
41 *	4224 124 2100	1	Rod (43.2007)
42 *	4224 122 9000	1	E-clip (43.2007)
43 *	4221 122 7100	2	Screw (43.2007)
44 *	9645 945 7574	2	O-ring 17x3 (43.2007)
45 *	4224 182 1500	1	Throttle rod (43.2007)
	* 4224 007 1008	1	Set of carburetor parts (43.2007) □ 3, 4, 13, 14, 44

(1) TS 700, (2) TS 700-Z

TS 700

SCS 03-2009 3.28





376E7031 SC

Drawing J Air filter, Shroud

Reference	Item number	Qty	Description
1	4224 140 1204	1	Filter base □ 5
2	4224 121 6100	1	Choke lever
3	4223 121 2400	1	Flat spring
4		1	Hose 3.1x5.7x48 mm (D)
	0000 930 2803	1	Hose 3.1x5.7 mm x 1 m
5	0000 350 6202	1	Fuel pump
6 *	1130 350 6200	1	Fuel pump (61.2007)
7	9216 261 0700	2	Hexagon nut M5
8	9074 478 4435	2	Pan head self-tapping screw IS-P6x19
9	4224 129 0903	1	Gasket
10 *	4224 129 0900	1	Gasket (43.2007)
	4224 007 1013	1	Air filter kit (B) USA □ 11, 12, 15
11	4224 140 1801	1	Auxiliary filter
12	4224 141 0300	1	Air filter
13	4224 140 2800	1	Filter housing □ 14, 15
14	9416 868 6630	4	Hollow rivet 6.5x0.5x6.8
15	4224 149 0500	1	Gasket
16	9022 341 1081	4	Spline screw IS-M5x35
17	4224 140 1000	1	Filter cover □ 18, 25
18	9022 319 1027	1	Screw IS-M5x21
19	4224 080 1600	1	Shroud
20	4224 084 7400	1	Grommet
21	4224 080 2200	1	Cap □ 22
22	9022 319 1027	1	Screw IS-M5x21
23	4224 123 7500	1	Grommet
24	9074 478 4435	4	Pan head self-tapping screw IS-P6x19
25	0000 967 3759	1	Warning pictogram TS
(1) 26 700,	4223 967 3701	1	Instruction label (1) J

Drawing J Air filter, Shroud

---

Reference	Item number	Qty	Description
27	4223 967 3700	1	Instruction label (1) J
28	4238 967 3703	1	Instruction label (1) J
	4224 007 1012	1	Set of gaskets □ 9

(1) TS 700, (2) TS 700-Z

TS 700

SCS 03-2009 3.28

Drawing                    J            Air filter, Shroud

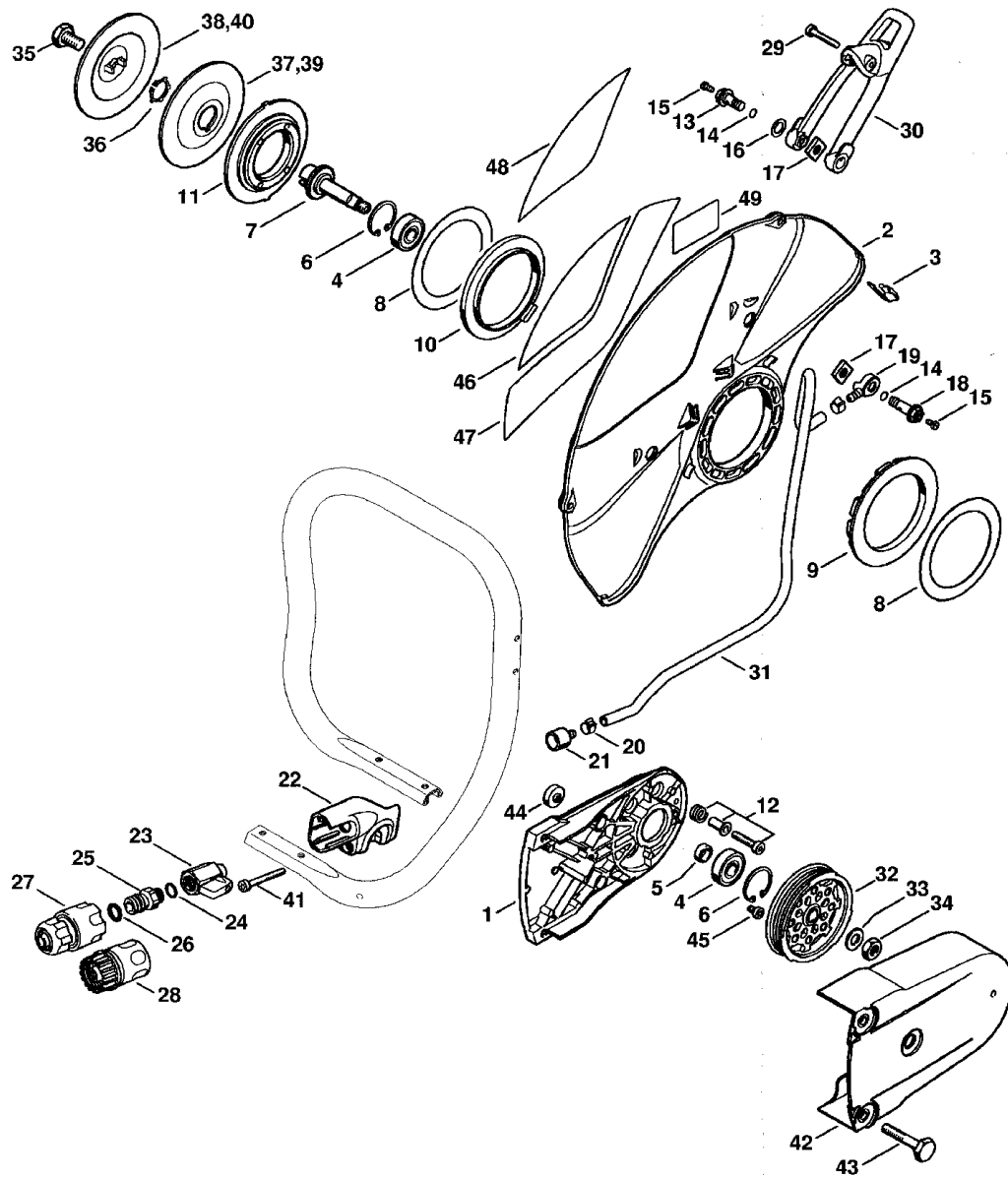
---

Reference	Item number	Qty	Description
	* 4224 007 1003	1	Set of gaskets (43.2007) □ 10

(1) TS 700, (2) TS 700-Z

TS 700

SCS 03-2009 3.28



376ET/006 SC

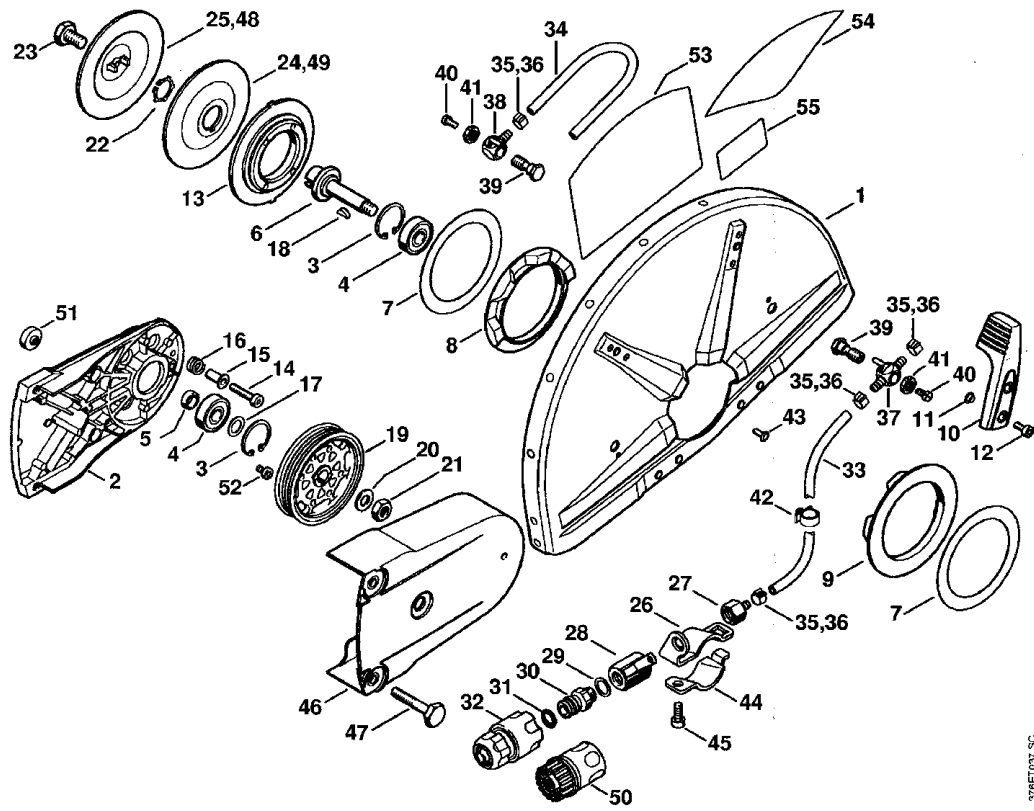
Drawing K Support with guard with water attachment

Reference	Item number	Qty	Description
1	4224 791 3900	1	Support
2	4224 700 8102	1	Guard Ø 350 mm / 14" □ 3
3	4238 706 0400	2	Stiffener
4	9503 003 6440	2	Grooved ball bearing 6201-2RS
5	0000 961 1206	1	Ring
6	9456 621 3600	2	Circlip 32x1.2
7	4224 704 0502	1	Shaft
8	4201 706 9202	2	Washer
9	4224 706 8802	1	Rubber ring
10	4224 706 8801	1	Rubber ring
11	4205 706 2903	1	Flange
12	4224 710 9501	4	Adjusting screw
13	0000 670 0201	1	Banjo bolt □ 14
14	9646 945 0340	1	O-ring 6x1.5
15	9041 216 0630	2	Pan head screw M4x8
16	0000 679 2000	1	Gasket
17	4224 708 8300	2	Square nut
18	0000 670 0200	1	Banjo bolt □ 14
19	4224 677 8203	1	Connector
20	9771 021 0921	2	Hose clip 10/7
21	4238 677 8200	1	Connector
22	4224 700 6801	1	Bracket
23	4201 700 4500	1	Shut-off cock 1/4"
24	0000 954 1701	1	Sealing ring
25	4201 700 7300	1	Hose connector □ 26
26	9645 945 7506	1	O-ring 10x3
27	4201 670 1700	1	Coupling sleeve 1/2"
28	4201 670 1701	1	Coupling sleeve 3/4" (2) USA, CDN
29	9022 341 1070	1	Spline screw IS-M5x30
30	4224 700 2901	1	Adjusting lever
31		1	Hose 5.6x1.9x614 mm (D)
(1) TS 700,	0000 937 4049	1	Hose 5.6x1.9 mm x 1 m (A,B)

Drawing K Support with guard with water attachment

Reference	Item number	Qty	Description
32	4224 764 8503	1	Poly V-belt pulley
33	9291 021 0200	1	Washer 10.5
34	9211 260 1350	1	Hexagon nut M10x1 l/h thread
35	4201 708 8402	1	Hexagon head screw M10x18
36	9450 721 2150	1	Circlip 20x1.2
37	4201 708 3004	1	Thrust washer Ø 103 mm
38	4201 708 3014	1	Thrust washer Ø 103 mm
39	4205 708 3000	1	Thrust washer Ø 118 mm AUS, J
40	4205 708 3010	1	Thrust washer Ø 118 mm AUS, J
41	9022 341 1220	1	Spline screw IS-M5x48
42	4224 700 8100	1	Guard
43	4224 708 8400	3	Screw
44	4224 790 9300	1	Rubber buffer (2) USA, CDN
45	9022 341 0910	1	Spline screw IS-M5x6 (2) USA, CDN
46	0000 967 3521	1	Instruction label USA
47	0000 967 3520	1	Instruction label USA
48	0000 967 3903	1	Instruction label CDN
49	4238 967 3701	1	Instruction label (1) J

(1) TS 700, (2) TS 700-Z



376ET037 SC



Drawing L Support with guard with water attachment (43.2007)

Reference	Item number	Qty	Description
	* 4224 690 0102	1	Support with guard Ø 350 mm / 14" (C) (1) (43.2007) □ 1 - 35, 37 - 43
	* 4224 690 0100	1	Support with guard Ø 350 mm / 14" (C) (2) USA (43.2007) □ 1 - 31, 33 - 35, 37 - 43, 50 - 53
	* 4224 690 0101	1	Support with guard Ø 350 mm / 14" (C) AUS, J (43.2007) □ 1 - 23, 26 - 35, 37 - 43, 48, 49
1	* 4224 700 8103	1	Guard Ø 350 mm / 14" (43.2007)
2	* 4224 791 3900	1	Support (43.2007)
3	* 9456 621 3600	2	Circlip 32x1.2 (43.2007)
4	* 9503 003 6440	2	Grooved ball bearing 6201-2RS (43.2007)
5	* 0000 961 1206	1	Ring (43.2007)
6	* 4201 704 0504	1	Shaft (43.2007)
7	* 4201 706 9202	2	Washer (43.2007)
8	* 4221 706 8800	1	Rubber ring (43.2007)
9	* 4221 706 8801	1	Rubber ring (43.2007)
10	* 4224 700 2900	1	Adjusting lever (43.2007) □ 11
11	* 9416 868 6510	2	Hollow rivet 6.5x0.5x3.0 (43.2007)
12	* 9022 341 0960	2	Spline screw IS-M5x12 (43.2007)
13	* 4205 706 2903	1	Flange (43.2007)
14	* 9022 341 1358	4	Spline screw IS-M6x28 (43.2007)
15	* 4224 704 3200	4	Sleeve (43.2007)
16	* 0000 997 1303	4	Compression spring (43.2007)
17	* 0000 958 1212	1	Washer (43.2007)
18	* 9482 435 0800	1	Woodruff key 4x5 (43.2007)
19	* 4224 764 8501	1	Poly V-belt pulley (43.2007)
20	* 9291 021 0200	1	Washer 10.5 (43.2007)
21	* 9211 260 1350	1	Hexagon nut M10x1 l/h thread (43.2007)
22	* 9450 721 2150	1	Circlip 20x1.2 (43.2007)
23	* 4201 708 8402	1	Hexagon head screw M10x18 (43.2007)
24	* 4201 708 3004	1	Thrust washer Ø 103 mm (43.2007)
25	* 4201 708 3014	1	Thrust washer Ø 103 mm (43.2007)
26	* 4224 700 6800	1	Bracket (43.2007)
27	* 4238 677 8200	1	Connector (43.2007)
28	* 4201 700 4500	1	Shut-off cock 1/4" (43.2007)

(1) TS 700, (2) TS 700-Z

Drawing L Support with guard with water attachment (43.2007)

Reference	Item number	Qty	Description
29 *	0000 954 1701	1	Sealing ring (43.2007)
30 *	4201 700 7300	1	Hose connector (43.2007)
			□ 31
31 *	9645 945 7506	1	O-ring 10x3 (43.2007)
32 *	4201 670 1700	1	Coupling sleeve 1/2" (43.2007)
33 *		1	Hose 5.6x1.9x614 mm (D) (43.2007)
34 *		1	Hose 5.6x1.9x220 mm / 8 11/16" (D) (43.2007)
	* 0000 937 4049	1	Hose 5.6x1.9 mm x 1 m (A,B) (43.2007)
35 *	9771 021 0921	4	Hose clip 10/7 (43.2007)
36 *	9771 021 0920	4	Hose clip 9.5/7 (43.2007)
37 *	4224 677 8201	1	Connector (43.2007)
38 *	4224 677 8202	1	Connector (43.2007)
39 *	4201 708 8400	2	Banjo bolt (43.2007)
40 *	9041 216 0950	2	Pan head screw M5x10 (43.2007)
41 *	9211 021 8900	2	Hexagon nut G 1/8" (43.2007)
42 *	4119 791 9400	1	Cable clamp (43.2007)
43 *	0000 706 4600	2	Plug (43.2007)
44 *	4224 708 9100	1	Bow (43.2007)
45 *	9022 341 1280	1	Spline screw IS-M6x16 (43.2007)
46 *	4224 700 8100	1	Guard (43.2007)
47 *	4224 708 8400	3	Screw (43.2007)
48 *	4205 708 3010	1	Thrust washer Ø 118 mm AUS, J (43.2007)
49 *	4205 708 3000	1	Thrust washer Ø 118 mm AUS, J (43.2007)
50 *	4201 670 1701	1	Coupling sleeve 3/4" (2) USA, CDN (43.2007)
51 *	4224 790 9300	1	Rubber buffer (2) USA, CDN (43.2007)
52 *	9022 341 0910	1	Spline screw IS-M5x6 (2) USA, CDN (43.2007)
53 *	0000 967 3578	1	Instruction label (2) USA (43.2007)
54 *	0000 967 3903	1	Instruction label (2) CDN (43.2007)
55 *	4224 967 3701	1	Instruction label (1) J (43.2007)

(1) TS 700, (2) TS 700-Z